

GLAD TIDINGS

from Grace Fellowship

Summer

2009



Grace Fellowship's first Sunday morning service was held June 8, 2003. There were 36 attending that first service in the "Upper Room" of a local business. God provided our current location and we soon moved. Here we have been able to grow in numbers, in fellowship with each other and Christ and to prepare for our future.

June, 2009 will not only be our sixth anniversary, it will mark another milestone in GFC's history. Carpenter's for Christ will arrive June 3. With their help and God's blessings, we will have the new building under roof by June 13. We hope to move into the new building by the fall.

As we celebrate our anniversary and our new building, let's take the opportunity to count our blessings, reflect on where we have come from and where we are going, and praise God for all that he has done and is doing for us.

Spring Events

◆ **Senior Friends** resumed meeting March 10th after a short winter break. The Friends also met in April and May for fun, food, and fellowship. Brother Dave Muse was special guest in April and sang for the Friends. They will be breaking for the summer to devote their time and energy to our new building project. Senior Friends will resume meeting after the move into the new building.

◆ Ground was broken on the building site March 5. March 8th GFC gathered at the site after the morning service for a brief time of special prayer committing the property and the building project to the Lord. We wish to thank Steve Brackenbury, everyone from Alabama Baptist Builders and all the people who have helped us get our building started.

March 22nd we had a “Ground Broke” potluck meal and a special evening service led by the youth. This was also a great opportunity to surprise Brother Vola, who isn’t easily surprised, with a celebration of his birthday. During the service several members performed a skit as a “roast” for Brother Vola.

◆ We have had two Baptism services this spring. Four new members baptized. We welcome Cady Cummins, Jason Barnett and Terry and Melissa Butcher to the family of God. We also thank Stanford Baptist Church for allowing us the use of their Baptistery.

◆ In April we began a campaign to collect items to be used to host Carpenter’s for Christ and the other volunteer groups that will be helping us with our new building throughout the summer.

Items collected were:

Paper plates/dinner trays, dessert plates, bowls

Napkins, plastic knives, forks, and spoons

Coffee cups and beverage cups

Canisters of Lemonade mix and Gatorade mix

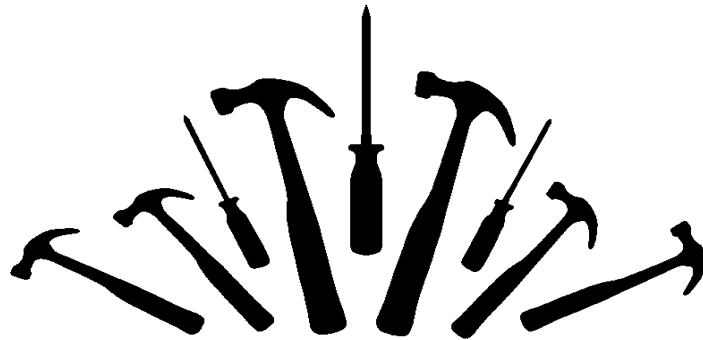
Bottled water for the job site

Individually wrapped, single serving snacks for the job site (snack cakes, individual packs of chips, peanut butter/cheese snack crackers, trail mix, granola bars, peanuts, etc.)

Large containers of coffee, vegetables, dressings, ketchup, and mustard.

We have had a great response. If you would still like to contribute, please see Jeanne Brown, Lenora Carter, or Lucille Justice to see what items are still needed.

◆ The **Overcomers Outreach** group began meeting April 2nd. They meet every Thursday at 6:30 P.M. Overcomers Outreach is open to those with any addictive or compulsive behavior or to the family members of those addicted. Through applying the truth of scripture, working the 12 steps, and sharing in fellowship with other Overcomers, Overcomers Outreach participants let go of past hurts, triumph over current problems, and learn to depend on God. For more information, see Brother Vola.



Your Help Is Needed!

We can not emphasize enough how much your help is needed with our new building project. First of all, we ask that everyone pray for the project and everyone working with it. There are also jobs that will fit everyone's time, talents and abilities. Help is needed with everything from providing desserts, serving food, cleaning tables, picking-up trash on the work-site to hammering nails and driving heavy equipment. If you have already been helping, we thank you. If you have volunteered, someone will contact you soon. If you are waiting for an invitation here it is. A couple of hours, an afternoon, a day, or a week, however much time and whatever job you can do will be appreciated. On the following page is list of events scheduled for June 3 to 13, the week Carpenter's for Christ will be here. They will be on the worksite each day of that week except Sunday. Work will continue after they are finished as well. Remember, this is our, Grace Fellowship's, building project. All the groups are coming to *help*. If you would like to volunteer or need more information the Building Team will be happy to help. They are: Jimmy Miller, Steve Bailey, Lenora Carter, J Smith, Jeanne Brown, Shannon Hatter, Brother Vola.

Sunday, June 7, Grace Fellowship will provide a **Potluck Lunch** to the Carpenter's for Christ volunteers. If you haven't signed up to bring a dish or to help with serving, please contact Deronda Sears at (606) 365-2722.

Schedule of Events for Carpenters for Christ June 3 to 13

- Wednesday, June 3** Carpenters for Christ arrive at GFC 5 P.M.
(This will be the advance part of 35 workers and 6 cooks.)
Carpenters for Christ will join us for Wednesday Bible Study.
They will sleep at GFC for 3 nights.
- Friday, June 5** Remaining Carpenters for Christ arrive at 5 P.M.
We will host a total of 102 volunteers from seven states.
The entire group will sleep at Lincoln County Middle School and
Lincoln County High School.
- Saturday, June 6** “Wall Raising Ceremony” 9:30 A.M. at the new building site.
Everyone from Grace Fellowship is invited to attend and
participate by writing scriptures, prayers, etc. on the walls of the
new building.
- Sunday, June 7** Carpenters for Christ will lead our morning service.
We will have a potluck dinner after the service. (see Deronda Sears
for more information)
- Monday June 8** Grace Fellowship will provide laundry service for Carpenters for
Christ advance party. (See Jennifer Lowe for more information)
- Wednesday, June 10** Carpenters for Christ will provide a Spaghetti Supper to GFC. The
evening service will be held in the **NEW BUILDING** following supper.
Please bring lawn chairs. (See Jeanne Brown or Angie Bailey for
more information)
- Friday, June 12** 7 P.M. Cookout for everyone. (See Sandy Duff for more
information)
- ◆ GFC will provide desserts and drinks for all lunches & suppers. See Janet Hatter,
Lenora Carter, or Kathy Coffee for more information.
 - ◆ GFC will provide 3-4 servers & cleaners for each lunch and supper. See Jeanette
Litton, or Andrea Pettus for more information.
 - ◆ GFC will deliver snacks and drinks to the job site each morning and afternoon.

Mark Your Calendar

- June 3** Carpenter's For Christ advance party arrives
June 5 Carpenter's for Christ volunteers arrive
June 6 "Wall Raising Ceremony" 9:30 A.M.
June 7 Carpenter's for Christ 11:00 A.M. Service Potluck lunch afterwards
June 10 Spaghetti Supper with C. for C. Service in new building afterwards
June 12 Cookout 7:00 P.M. at Fair Grounds Road
June 14 – 19 Alcorn (Mississippi) Baptist Church Mission Team helping with the building project
June 21 Father's Day
June 29-July 4 Lincoln County Fair – July 1 no Wednesday service
July 4 Independence Day
July 8 Business Meeting 7:00 P.M.
August 30 Lord's Supper (Benevolent Fund Offering received P.M. service)

Service Times

Sunday

Sunday School	10:00 A.M.
Morning Worship	11:00 A.M.
Evening Worship	6:30 P.M.

Wednesday

Bible Study & Youth & Children	7:00 P.M.
---	------------------

There will be a lot going on this summer. The above is only an abbreviated list of this summer's events. Times and dates are subject to change. Keep up with what's going on with the Sunday bulletin, our website, www.gracefellowshipstanford.com or by calling the office (606) 365-0502.



Summer Birthdays

June

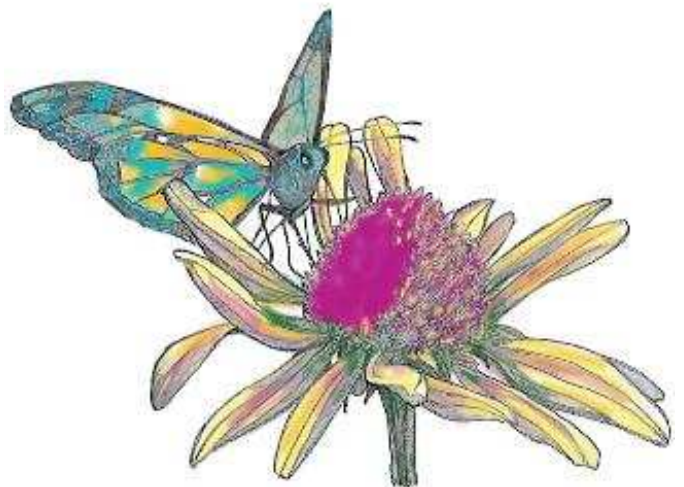
July

August

6/4	Dave Rollins	7/1	Anne Padgett	8/2	Ethan Miller
6/6	Bea Stringer		Kevin Woodrum	8/3	Bryan Hinkston
6/14	Marvin Smith	7/5	Ed Hall		Jenette Litton
6/15	Robert Sexton	7/13	Yvonne Hatfield		Bill Wilson
6/16	Geneva Jackson	7/15	John Sims	8/4	Mike Terry
6/17	Chrystal Zarnstorff	7/16	Carolyn Marks	8/5	Dave Nickell
6/23	Jeanne Brown	7/19	Lauren Hatfield	8/6	Jennie Goodpaster
	Ruth Coffee		Red Middleton	8/8	Frances Greer
6/24	Lonnie Gooch	7/22	William Adams	8/10	Loletia Mcleskey Roe
6/25	Alison Adkins	7/25	Jackie Delk	8/14	Barbara Ochsner
		7/29	Shirley Sanders	8/18	Arabiah Kombo
					Brooke Stone
				8/24	Mike McCurry
				8/25	Sarah Stevens
				8/27	Jean Brown
					Donald Collins
				8/29	Sarah Woodall
				8/30	Tom Johnson

Greatness

**It's great that we humans
 Have knowledge and skill
 To fly to the moon
 And through space;
 But greater than that
 Is the God you can trust
 To keep outer space**



The Record Speaks

Date	Sunday School	Morning	Evening	Offering	Building Fund
March 1	55	122	44	\$4379.61	\$ 645.00
March 8	42	156	49	\$2880.61	\$ 325.00
March 15	62	143	47	\$3438.81	\$3150.00
March 22	73	184	108	\$2413.15	\$ 250.00
April 5	53	147	44	\$3047.00	\$ 685.00
April 12	66	220	No Service	\$2706.90	\$ 520.00
April 19	52	160	45	\$7031.15	\$ 735.00
April 26	60	161	65	\$2721.01	\$ 230.00
May 3	56	194	42	\$1636.07	\$ 975.00
May 10	59	221	No Service	\$1817.86	\$1000.00
May 17	48	131	40	\$3339.00	\$ 528.00
May 24	44	126	39	\$5088.84	\$1075.00

Information for May 31 will be included in the next issue.



Something to think about....

◆ “America stands on two great pillars – faith and morality. Without these, our foundation crumbles.”

-George Washington

◆ “He who has received must give; it is better to give much, but it is essential to give a part at least.

-Giovanni Papini

◆ “You’ll never get ahead of anyone as long as you try to get even with him”

-Lou Holtz



Just For Fun

Bible Quiz

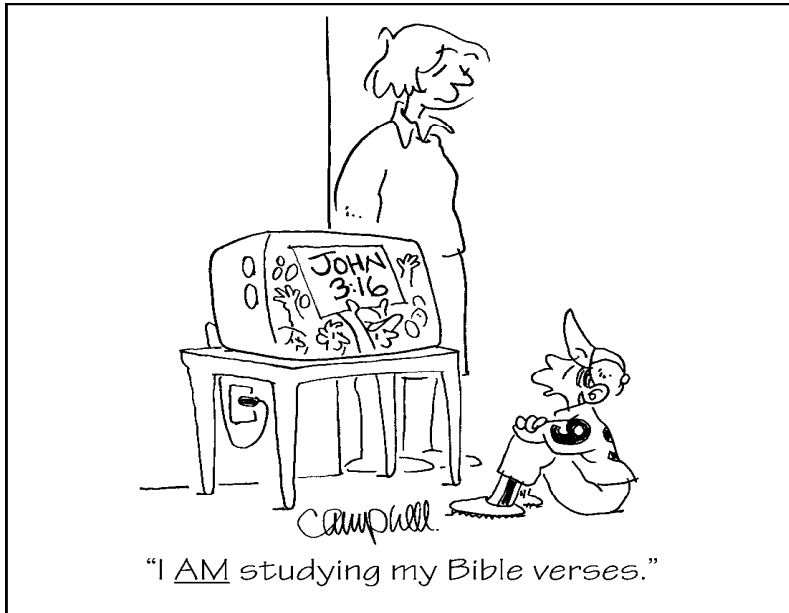
A follower of Jesus traveled the world, spreading the Good News of Christ. While in Athens, Greece, he saw an altar with an inscription that read “To and unknown god.”

Who was the follower?

- A. Mark
- B. Peter
- C. Paul
- D. Luke



For the answer see Acts 17:23-26



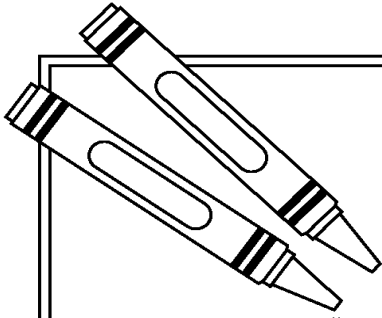
Hush!

stop me?”

Seven-year-old Abby tried to quiet her younger brother during a church service. “Hush ... hush,” she warned him. “You’re not supposed to talk out loud in church.”

“Why?” asked the brother. “Who’s going to

Abby pointed to the rear of the sanctuary. “See those men standing back there? Well, those are the hushers!”



Just for **KIDS**

TRAVEL BY DAY OR NIGHT

The way people travel has changed over time, but one thing has not changed — God was with people in biblical times just as He is with you and your family as you travel during your summer vacations.

Count the number of letters for each name, and then write the name in the spaces next to the verse that matches. (*Hint: Besides counting the number of letters in the name, also pay attention to whether the person is from the Old Testament or New Testament.*)

NAMES

Paul Moses Joseph The Israelites Abram crowds
Samaritan Jesus Naaman Angel of God

VERSES

“The _____ had been traveling in front of Israel’s army” Exodus 14:19

“And _____ went out from Pharaoh’s presence and traveled throughout Egypt.” Genesis 41:46

“Go in peace,” said Elisha. After _____ had traveled some distance” 2 Kings 5:19

“_____ traveled through the land as far as the site of the great tree of Moreh at Shechem.” Genesis 12:6

_____ “traveled through that area, speaking many words of encouragement to the people, and finally arrived in Greece.” Acts 20:2

“_____ traveled about from one town and village to another, proclaiming the good news of the kingdom of God.” Luke 8:1

“Large _____ were traveling with Jesus.” Luke 14:25

“_____ traveled to the plains of Moab and camped along the Jordan across from Jericho.” Numbers 22:1

“_____ led Israel from the Red Sea For three days they traveled in the desert” Exodus 15:22

“But a _____, as he traveled, came where the man was; and when he saw him, he took pity on him.” Luke 10:33

Answers: Angel of God; Joseph; Naaman; Abram; Paul; Jesus; crowds;
The Israelites; Moses; Samaritan